

SHANTUI

SE18SR

Mini Excavator



Engine Model: KUBOTA D902
Gross Power: 16HP(11.8KW)/2300RPM
Operating Weight: 3968LBS(1800KG)

High Performance in a Compact Design

SE18SR SPECIFICATIONS

ENGINE

Model	KUBOTA D902
Type	Vertical, water cool, 4-cycle
No. of cylinder	3
Emission	EPA Tier 4 Final/Europe Stage V
Displacement	55 cu. in. (0.898L)
Power output	16HP(11.8kW)/2300rpm

HYDRAULIC SYSTEM

Type	Axial piston-variable displacement
Max. hydraulic flow	7.4gal/min (28L/min)

DIGGING FORCE (ISO6015)

Bucket digging force	3600lbf (16kN)
Arm digging force	2137lbf (9.5kN)

BUCKET

Type	Backhoe bucket
Bucket capacity	0.05 cu.yd. (0.04 m ³)
Bucket width	17.7 in. (450 mm)

DRIVE SYSTEM

Type	Axial piston motor
Track roller	2×3
Track shoes	2×37
Travel speed	1.37/2.7 mph (2.2/4.3km/h)
Max. Drawbar pull	4050lbf (18kN)
Grade ability	58%

SWING SYSTEM

Swing motor type	Cycloidal motor
Swing speed	0-9.5r/min
Brake type	Pressure release mechanical braking

REFILLING CAPACITIES & LUBRICATIONS

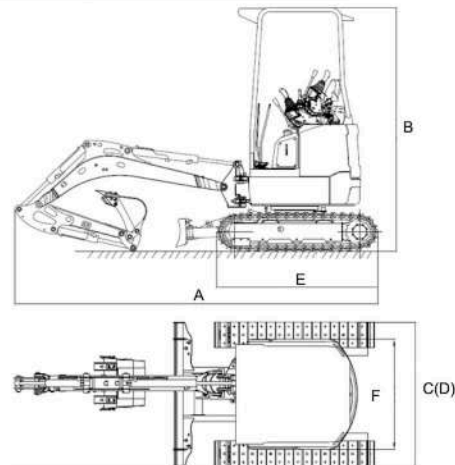
Fuel tank	5 gal(19L)
Cooling system	1.3 gal(5L)
Engine oil	1 gal(3.7L)
Hydraulic oil tank	5.4 gal(20L)

OPERATING WEIGHT AND GROUND PRESSURE

Shoe width	9 in. (230mm)
Ground pressure	4.2 psi (29kPa)
Operating weight	3968lbs (1800kg)

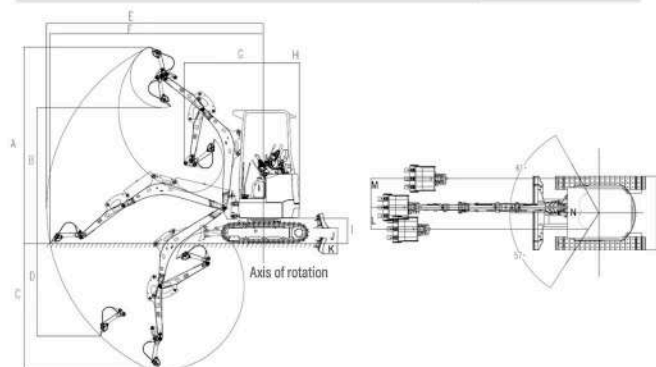
DIMENSIONS

		inch(mm)
A	Transport Length (arm lowered)	141"(3570)
B	Overall height(top of canopy)	95"(2400)
C	Undercarriage Width (Retracted)	39"(990)
D	Undercarriage Width (Extended)	51"(1300)
E	Undercarriage Length	63"(1587)
F	Upperbody width (zero tail)	39"(990)



WORKING RANGE

		inch(mm)
A	Max. digging height	139"(3535)
B	Max. dumping height	96"(2445)
C	Max. digging depth	89"(2270)
D	Max. vertical digging depth	75"(1910)
E	Max. digging radius	154"(3910)
F	Max. digging radius, at ground level	151"(3845)
G	Min. swing radius of work equipment	56"(1495)
H	Min. tail swing radius	26"(650)
I	Ground clearance of counterweight	18"(450)
J	Maximum Dozer Lift Height	11"(280)
K	Maximum Dozer Dig Depth	7.5"(190)
L	Maximum Boom Offset (LH)	15(385)
M	Maximum Boom Offset (RH)	20(510)
N	Boom Swing Angle (LH&RH)	57°/61°



* THE SPECIFICATIONS ARE SUBJECT TO CHANGE WITHOUT NOTICE. THE PICTURES MAY INCLUDE OPTIONS. THE ACTUAL COLOR & APPEARANCE OF THE PRODUCT MAY DIFFER FROM WHAT IS SHOWN.

Shantui-Europe

Tel: +31 (0)6 3727 7298

email: info@shantui.nl

website: https://www.shantui.nl

SHANTUI
LET'S MAKE CONSTRUCTION EASIER